



Model:

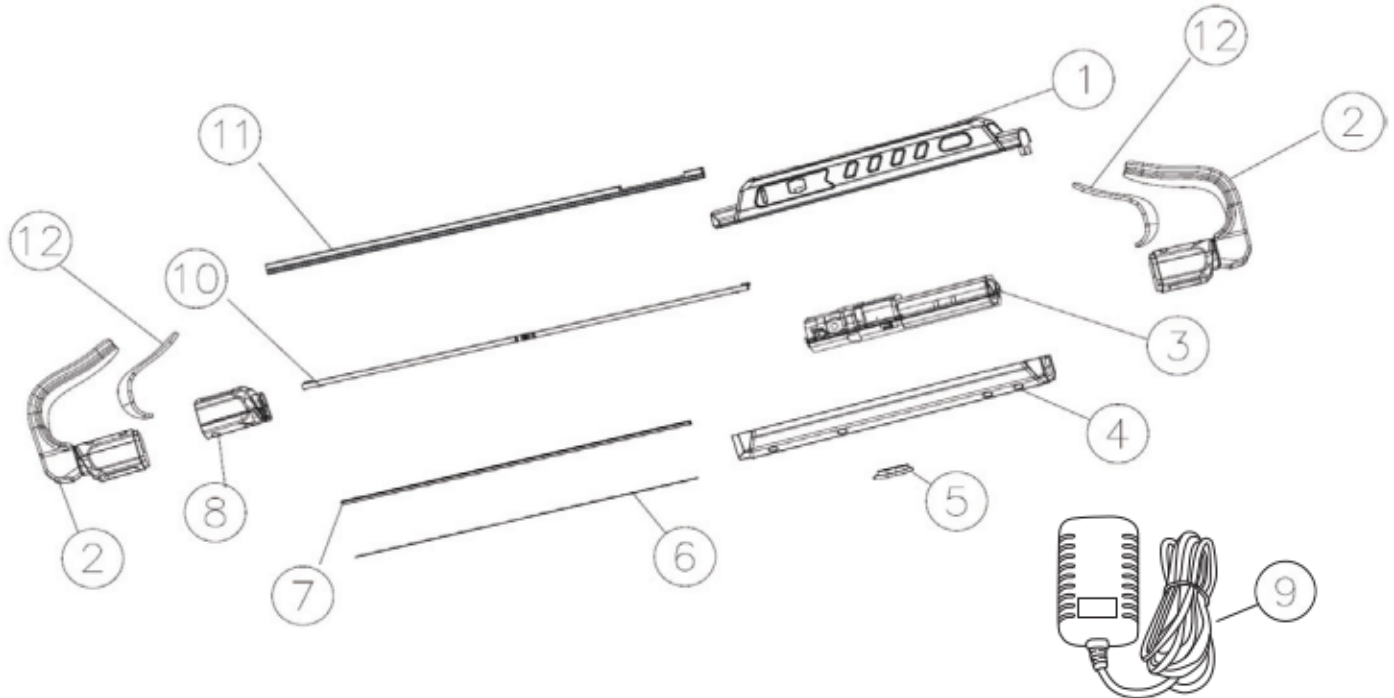
151SL

Product Type:

1510 LUMEN SLIM ALUMINUM RECHARGEABLE UNDERHOOD LIGHT

PARTS BREAKDOWN

Call 1.800.221.9705 for questions concerning performance of the product or other inquiries.



Parts List

Index	Part No.	Description	Qty
1	151SL-01	Upper Handle with USB End Cap	1
2	151SL-02	Hook Part	1
3	151SL-03	Control Board Part	1
4	151SL-04	Lower Handle	1
5	151SL-05	Switch Button	1
6	151SL-06	PCB Board	1
7	151SL-07	PC Tube	1
8	151SL-08	Connector for Hook	1
9	151SLCH	Charger	1
10	151SL-10	Telescopic Tube	1
11	151SL-11	Aluminum Housing with Transparent Cover	1
12	151SL-12	Hood Protector Cover	2