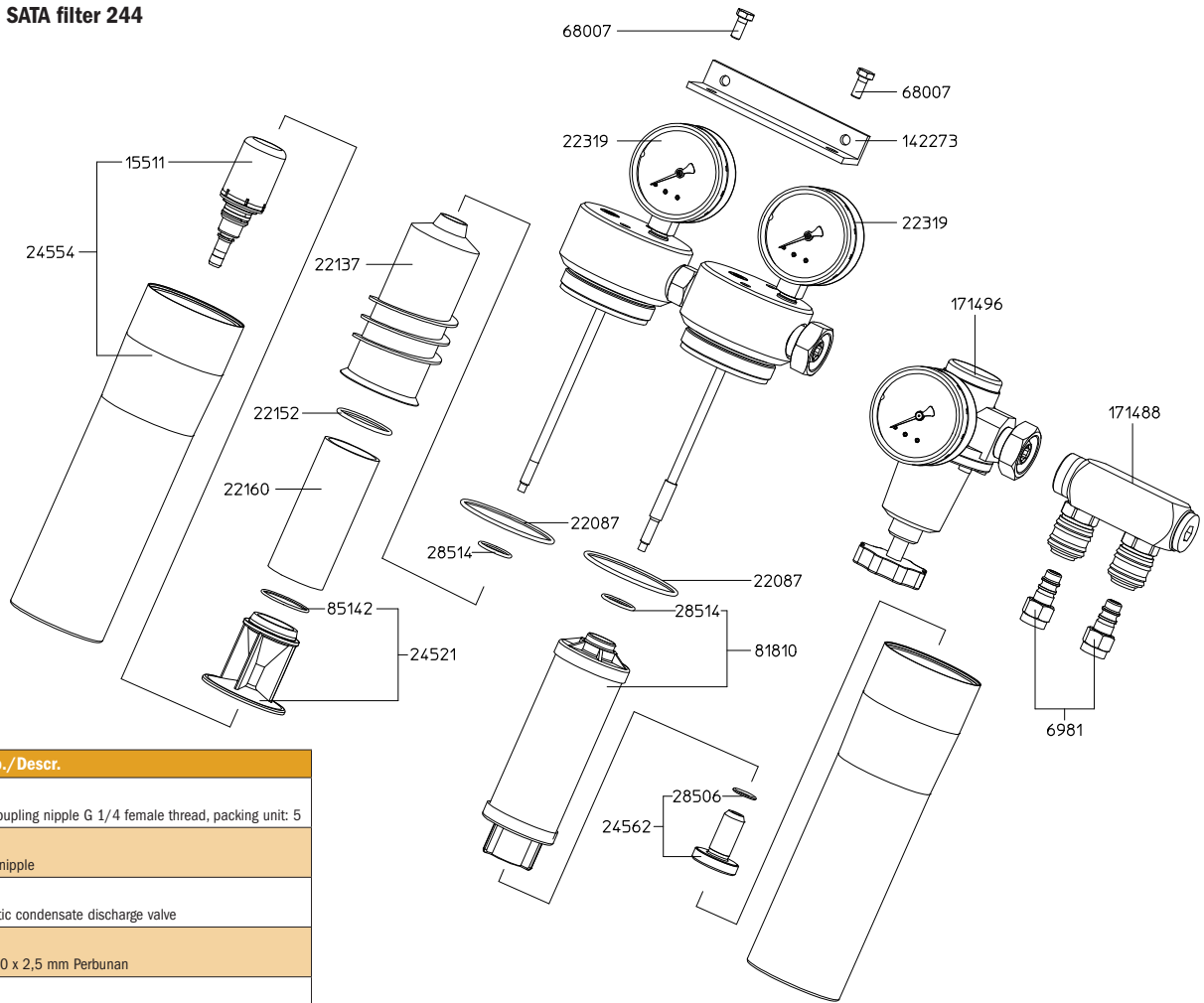


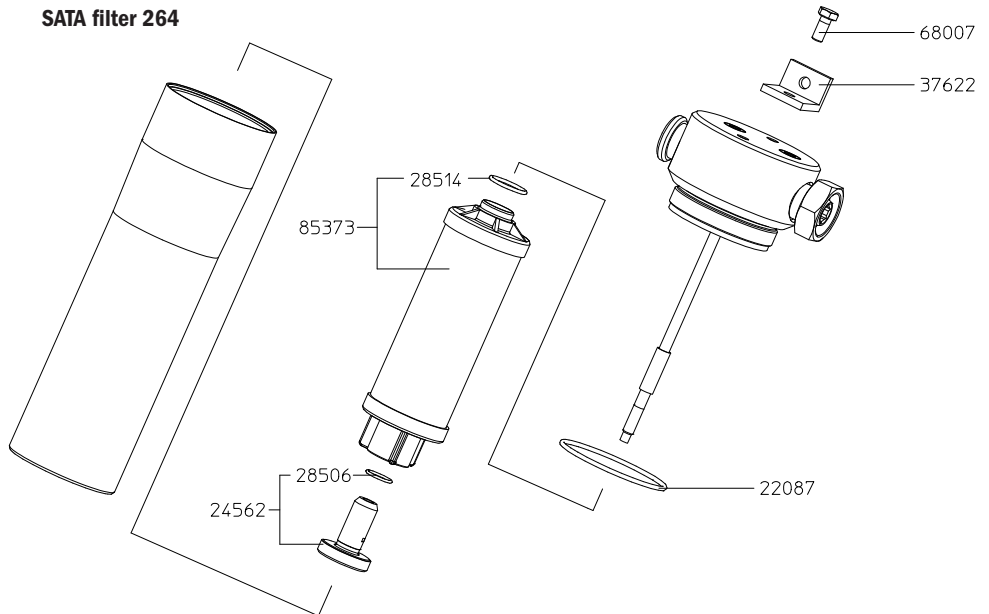
Spare Parts SATA® filter 200™

To ensure consistently high quality: original SATA accessories and spare parts

SATA filter 244



SATA filter 264



Art. No./Descr.
6981
Quick coupling nipple G 1/4 female thread, packing unit: 5
8706
Double nipple
15511
Automatic condensate discharge valve
22087
O-ring 60 x 2,5 mm Perbunan
22137
Cyclone separator
22152
O-ring 33 x 2,5 Perbunan
22160
Sinter filter
22319
Pressure gauge 0-10 bar for SATA filter series 200, 300 and 400
24521
Condensate retainer with O-ring
24554
Filter sleeve with automatic discharge valve
24562
Intermediate adapter, cpl., with O-ring
28506
O-ring 13 x 1,5 Perbunan for SATA filter series 200, 300 and 400
28514
O-ring 19 x 2 mm Perbunan
68007
Hexagonal screw M6 x 14, DIN 933, -8.8, galvanised
SATA filter series 200, 400 and suction pipe holder vario top spray
81810
Fine filtering cartridge
85142
O-ring 30 x 1,5 mm Perbunan
85373
Activated charcoal cartridge
142273
Fixing angle for SATA filter series 200

All prices are suggested list prices. Errors, technical modifications and printing errors reserved.